

DESIGN AIR DIFFUSERS

**AIR
DISTRIBUTION**



 **PICHLER**

Systematic ventilation.



CONTENTS

SUPPLY AND EXHAUST AIR



Ventil ONE

Page 4



Ventil ONE PLUS

Page 6



ALPHA

Page 8



QUAD

Page 9



AIRY

Page 10



Product description Ventil ONE



Ventil ONE

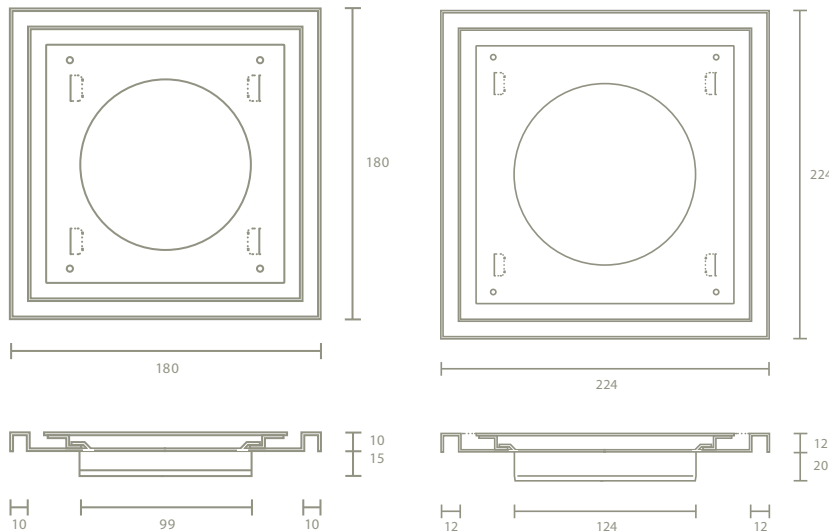
AIR DIFFUSERS SUPPLY AND EXHAUST AIR

- For flush mounted installation on ceilings and walls
- Made of sheet steel
- 10 mm wide outlet frame
- Inside hybrid system combinable with volume adjustment set or filter insert
- Flush spring steel cover guarantees consistent design

- Symmetrical, flow-optimised air duct
- For all interior use

Standard color: electrostatic powder-coated RAL 9016, coating thickness ca. 60 µm

Dimensions



Ventil One Ø 100 mm

Ventil One Ø 125 mm

| Item number | Connection Ø | B | H | L | Weight |
|----------------|--------------|-----|-----|----|--------|
| 10VENTILONE100 | 99 | 180 | 180 | 10 | 490 g |
| 10VENTILONE125 | 124 | 224 | 224 | 12 | 775 g |

Additional information on the volume adjustment set



VOLUME ADJUSTMENT SET FOR VENTIL ONE AND VENTIL ONE PLUS

- For continuously variable air control
- Simple installation – with a click
- Exchangeable for a filter insert
- Made of ABS plastic
- Separate delivery!

TECHNICAL DATA VOLUME ADJUSTMENT SET

| Model | Dimensions Ø (mm) | Weight (g) |
|------------------|-------------------|------------|
| 10VENTILONEV0100 | 91 | 20 |
| 10VENTILONEV0125 | 115 | 40 |

Standard color: white



Technical Data

ACOUSTIC DATA AND PRESSURE LOSS CONDITIONS

Vol in l/s or m³/h:
 Air flow per air outlet
 o: Opening of the volume adjustment set in %
 Δp in Pa: Overall pressure loss

CONDITIONS

Equivalent absorption area: 10 m²
 Distance to outlet: 3 m
 Direction factor: 2

The difference between acoustic power (LW) and sound power level (LpA) is -4 dB.

THROW LENGTH

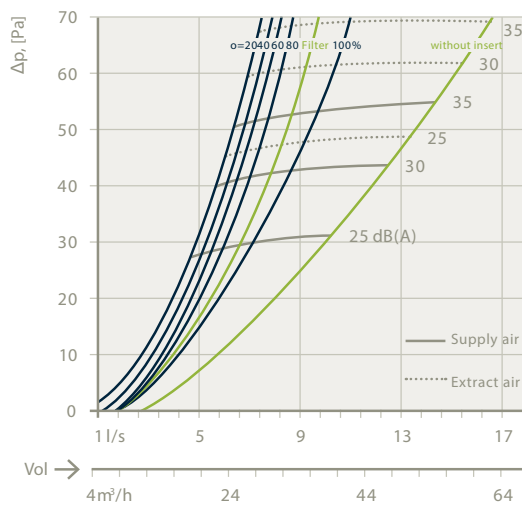
The throw of 10.2 shown in the diagram is the distance between the outlet and the point in the air flow (isotherm) where the speed is reduced to 0.2 m/s.

SOUND POWER LEVEL

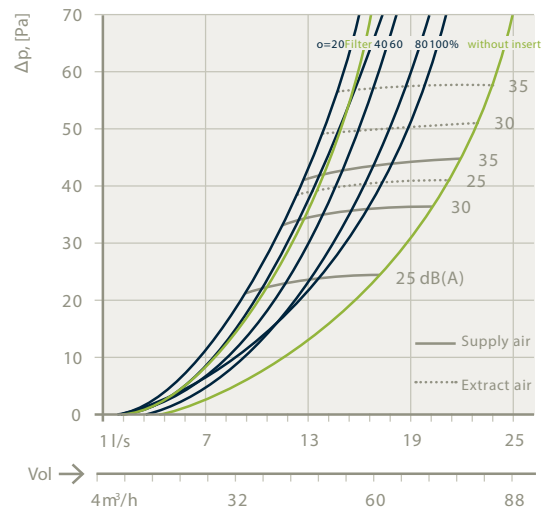
L_{WA} in dB (A): A-weighted sound power level

L_{pA}: A-weighting of the sound power level

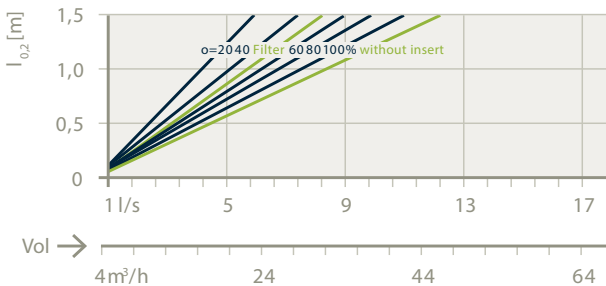
The sound power level LpA [dB (A)] specified in the diagram refers to the reverberation field in a room with a 10 m² equivalent absorption area.



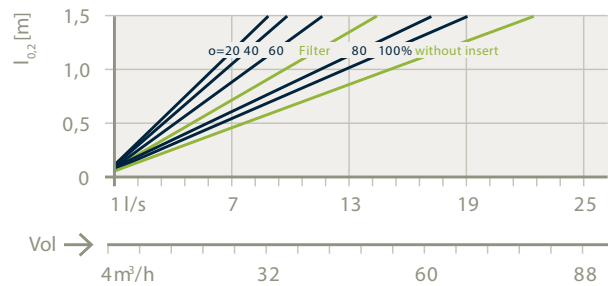
Total pressure loss Ventil ONE Ø 100



Total pressure loss Ventil Plus Ø 125



Throw length Ventil ONE Ø 100



Throw length Ventil Plus Ø 125



Product description Ventil ONE PLUS



Ventil One Plus

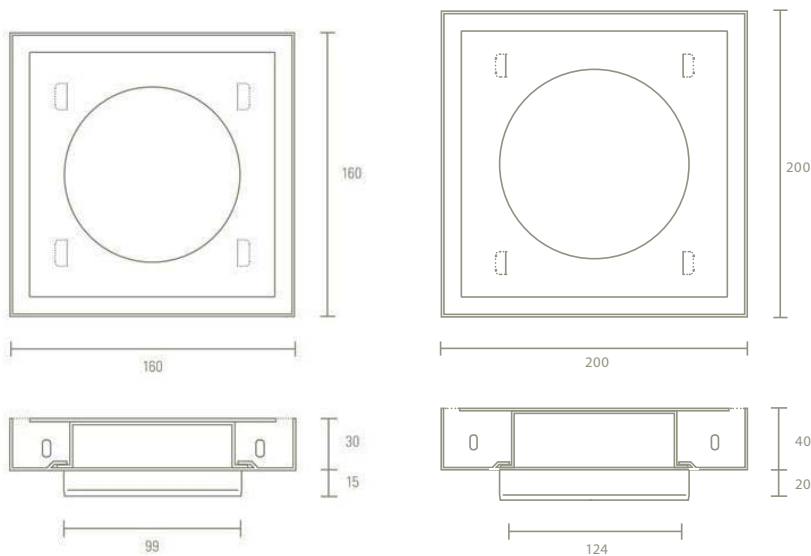
AIR DIFFUSERS SUPPLY AND EXHAUST AIR

- For flush underplaster installation in ceilings and walls
- Made of sheet steel
- Variable installation depth
- Inside hybrid system combinable with a volume adjustment set or filter insert
- Flush spring steel cover guarantees consistent design

- Symmetrical, flow-optimised air duct
- For all interior use

Standard color: electrostatic powder-coated RAL 9016, coating thickness ca. 60 µm

Dimensions



Ventil One Plus Ø 100 mm

Ventil One Plus Ø 125 mm

| Item number | Connection Ø | B | H | L | Weight |
|-----------------|--------------|-----|-----|----|--------|
| 10VENTILONEP100 | 99 | 160 | 160 | 30 | 510 g |
| 10VENTILONEP125 | 124 | 200 | 200 | 40 | 820 g |

Additional information on the volume adjustment set



VOLUME ADJUSTMENT SET FOR VENTIL ONE AND VENTIL ONE PLUS

- For continuously variable air control
- Simple installation – with a click
- Exchangeable for a filter insert
- Made of ABS plastic
- Separate delivery!

Standard color: white

TECHNICAL DATA VOLUME ADJUSTMENT SET

| Model | Dimensions Ø (mm) | Weight (g) |
|------------------|-------------------|------------|
| 10VENTILONEV0100 | 91 | 20 |
| 10VENTILONEV0125 | 115 | 40 |



Technical Data

ACOUSTIC DATA AND PRESSURE LOSS

Vol in l/s or m³/h:

Air flow per air outlet

o: Opening of the volume adjustment set in %

Δp in Pa: Overall pressure loss

SOUND POWER LEVEL

L_{WA} in dB (A): A-weighted sound power level

L_{pA}: A-weighting of the sound power level

The sound power level L_{pA} [dB (A)] specified in the diagram refers to the reverberation field in a room with a 10 m² equivalent absorption area.

CONDITIONS

Equivalent absorption area: 10 m²

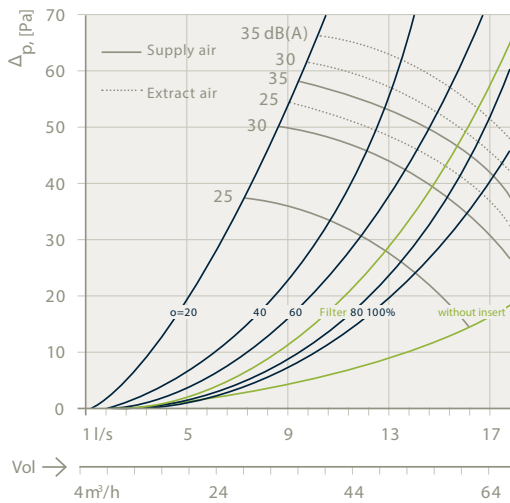
Distance to outlet: 3 m

Direction factor: 2

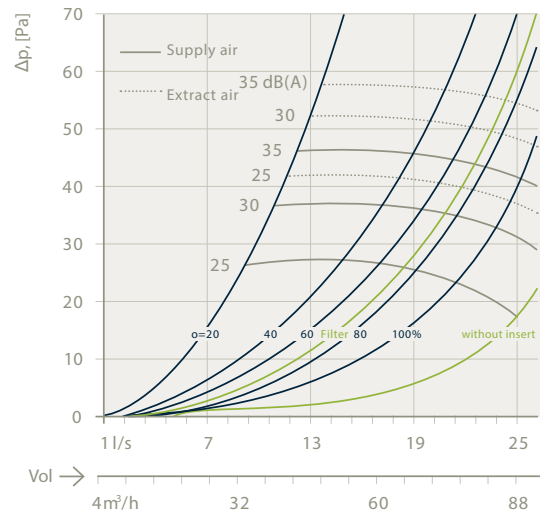
The difference between acoustic power (L_w) and sound power level (L_{pA}) is -4 dB

THROW LENGTH

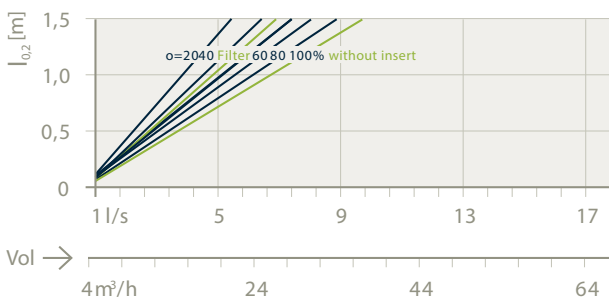
The throw of 10.2 shown in the diagram is the distance between the outlet and the point in the air flow (isotherm) where the speed is reduced to 0.2 m/s.



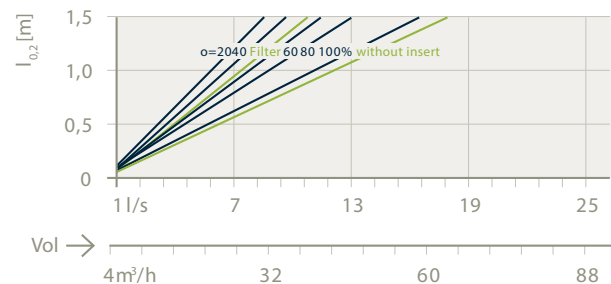
Pressure loss Ventil ONE Plus Ø 100



Pressure loss Ventil ONE Plus Ø 125



Throw length Ventil ONE Plus Ø 100



Throw length Ventil ONE Plus Ø 125



Product description ALPHA



Ventil ALPHA

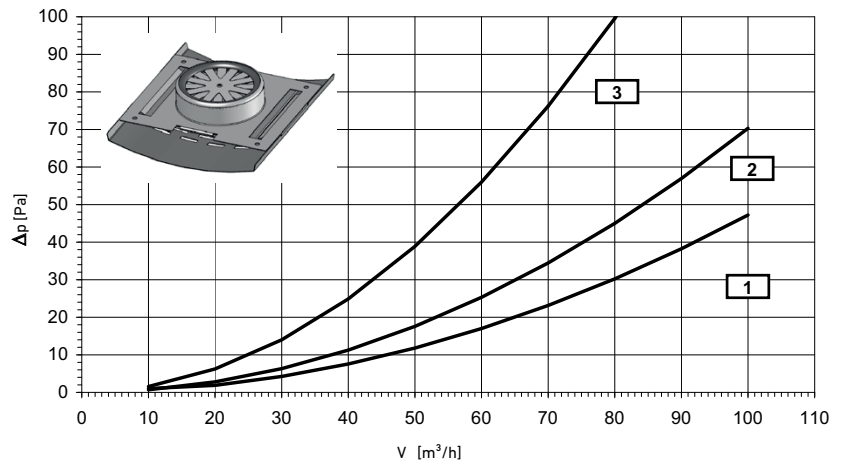
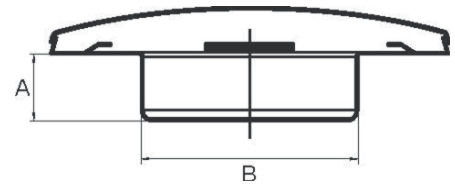
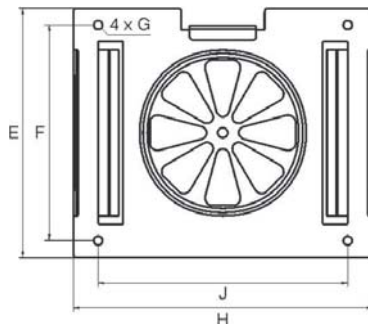
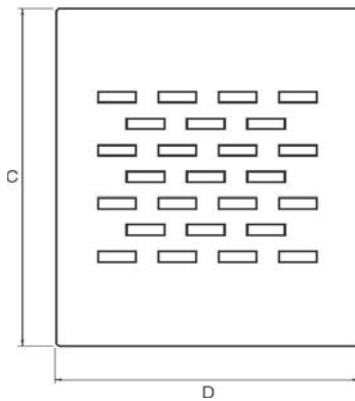
AIR DIFFUSERS SUPPLY AND EXHAUST AIR

- Application as air inflow or outflow element in ventilation systems
- Made of sheet steel
- Equipped with connecting nozzle at the back and integrated continuously adjustable throttle for volume flow control and with washable aluminium

- expanded metal insert (reducing soiling of the ventilation system)
- Fasteners included in scope of delivery

Standard color: powder-coated RAL 9010

Dimensions



- | | |
|---|---|
| 1 | Alpha air duct DN 125 - without filter insert - regulator 100 % open |
| 2 | Alpha air duct DN 125 - with only filter insert- regulator 100 % open |
| 3 | Alpha air duct DN 125 - with only filter insert- regulator 50 % open |

| Item number | A | B | C | D | E | F | G | H | J |
|-------------|----|-----|-----|-----|-----|-----|-----|-----|-----|
| Alpha 100 | 30 | 98 | 210 | 182 | 150 | 130 | 5,5 | 180 | 150 |
| Alpha 125 | 30 | 123 | 210 | 207 | 175 | 155 | 5,5 | 205 | 175 |



Product description QUAD



Ventil QUAD

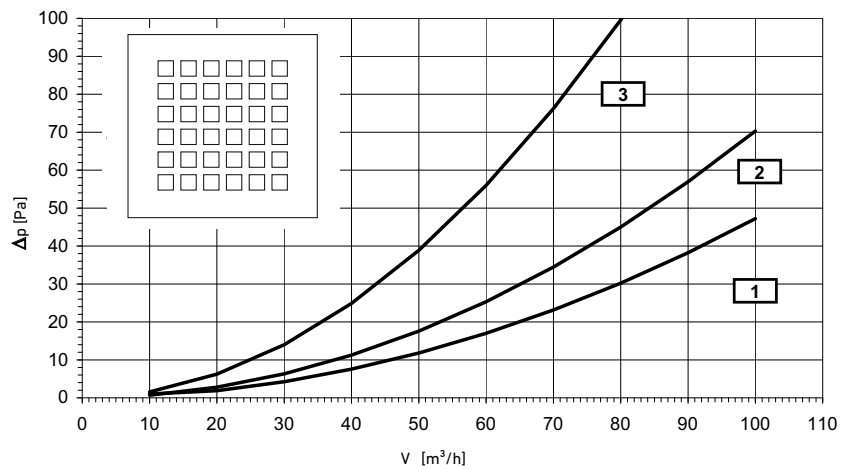
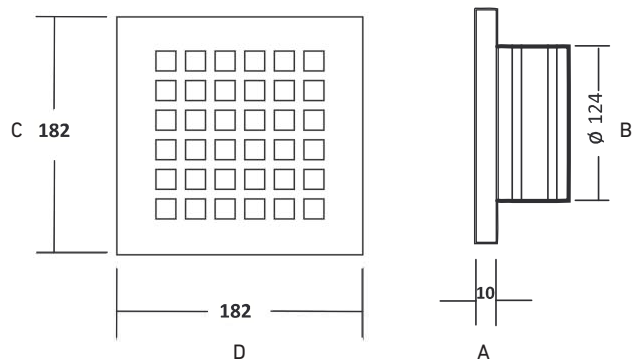
AIR DIFFUSERS SUPPLY AND EXHAUST AIR

- Application as air inflow or outflow element in ventilation systems
- Made of sheet steel
- Equipped with connecting nozzle at the back and integrated continuously adjustable throttle for volume flow control and with washable aluminium expanded metal insert (reducing soiling of the ventilation system)

- Quad design bezel attached to the fastening plate with two magnets, allowing continuous adjustment of slight unevenness against the wall
- Fasteners included in scope of delivery

Standard color: powder-coated RAL 9010

Dimensions



- | | |
|---|--|
| 1 | Air duct DN 125 - without filter insert - regulator 100 % open |
| 2 | Air duct DN 125 - with only filter insert - regulator 100 % open |
| 3 | Air duct DN 125 - with only filter insert - regulator 50 % open |

| Item number | A | B | C | D |
|-------------|----|-----|-----|-----|
| Quad 125 | 10 | 124 | 182 | 182 |



Product description AIRY



AIRY

AIR DIFFUSERS SUPPLY AND EXHAUST AIR

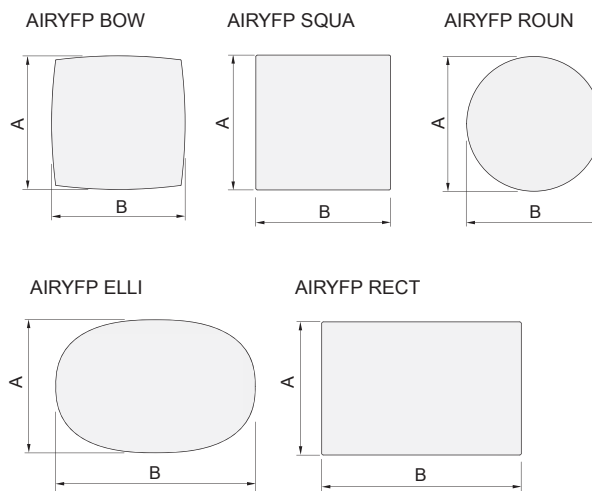
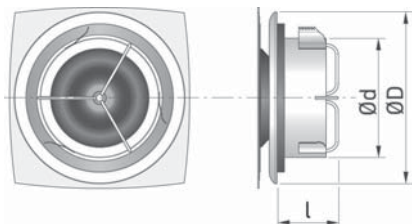
- The vent is composed of two parts: the base body (AIRYB) and the flat front panel (AIRYFP).
- The vent is designed for wall and ceiling installation.
- The Smart Grip function makes it easy to install.
- Its unique acoustic properties guarantee optimal sound levels.
- The base body is either fixed to the pipe system or a vent base by means of the flexible spring clip.
- The front panel is put on the adjustment cone of the vent's base body and held in place with springs.
- Use of ILVRU assembly studs is recommended for installation.

- Can be equipped with a guide vane for 2 or 3-sided air discharge as needed.
- 5 standard front panel designs are available:
 - ROUN – circular
 - BOW – rectangular with slightly rounded corners
 - SQUA – square
 - ELLI – elliptical
 - RECT – rectangular

Standard color:

Available in white RAL 9010, gloss level 30 (front panel in stainless steel brushed upon request)

Dimensions



BASE BODY

| Item number | ød nom | ød mm | øD mm | l mm | Gewicht kg |
|--------------|-----------|----------|----------|---------|---------------|
| 10AIRYB10010 | 100 | 90 | 137,5 | 54 | 0,26 |
| 10AIRYB12510 | 125 | 114 | 156 | 57 | 0,33 |
| 10AIRYB16010 | 160 | 149 | 191 | 57 | 0,43 |

+

FRONT PANEL IN RAL 9010

| Item number | ød nom | A mm | B mm | Typ mm | Gewicht kg |
|-------------------|-----------|---------|---------|-----------|---------------|
| 10AIRYFP100BOW10 | 100 | 140 | 140 | BOW | 0,17 |
| 10AIRYFP100ELLI10 | 100 | 140 | 210 | ELLI | 0,21 |
| 10AIRYFP100ROUN10 | 100 | 140 | 140 | ROUN | 0,13 |
| 10AIRYFP100RECT10 | 100 | 140 | 210 | RECT | 0,24 |
| 10AIRYFP100SQUA10 | 100 | 140 | 140 | SQUA | 0,17 |
| 10AIRYFP125BOW10 | 125 | 165 | 165 | BOW | 0,22 |
| 10AIRYFP125ELLI10 | 125 | 165 | 248 | ELLI | 0,29 |
| 10AIRYFP125ROUN10 | 125 | 165 | 165 | ROUN | 0,18 |
| 10AIRYFP125RECT10 | 125 | 165 | 248 | RECT | 0,33 |
| 10AIRYFP125SQUA10 | 125 | 165 | 165 | SQUA | 0,23 |
| 10AIRYFP160BOW10 | 160 | 210 | 210 | BOW | 0,34 |
| 10AIRYFP160ELLI10 | 160 | 210 | 315 | ELLI | 0,44 |
| 10AIRYFP160ROUN10 | 160 | 210 | 210 | ROUN | 0,28 |
| 10AIRYFP160RECT10 | 160 | 210 | 315 | RECT | 0,53 |
| 10AIRYFP160SQUA10 | 160 | 210 | 210 | SQUA | 0,35 |





Responsible for the content: J. Pichler Gesellschaft m.b.H. | Graphics and layout: J. Pichler Gesellschaft m.b.H.
 Photos: Archiv J. Pichler Gesellschaft m.b.H. | Text: J. Pichler Gesellschaft m.b.H. All rights reserved
 All photos are symbolic photos | Subject to change without notice | Version: 03/2018 db/kp

PICHLER
 Systematic ventilation.

J. PICHLER
 Gesellschaft m.b.H.

AUSTRIA
9021 KLAGENFURT
AM WÖRTHERSEE
 Karlweg 5
 T +43 (0)463 32769
 F +43 (0)463 37548

1100 WIEN
 Doerenkampgasse 5
 T +43 (0)1 6880988
 F +43 (0)1 6880988-13

office@pichlerluft.at
 www.pichlerluft.at

PICHLER & CO d.o.o.
 prezračevalni sistemi

SLOVENIA
2000 MARIBOR
 Cesta k Tamu 26
 T +386 (0)2 46013-50
 F +386 (0)2 46013-55

pichler@pichler.si
 www.pichler.si

KLIMA DOP d.o.o.
 klimatizacija i ventilacija

SERBIA
11070 NOVI BEOGRAD
 Autoput Beograd-Zagreb
 bb (Blok 52 – prostor GP
 „Novi Kolektiv“)
 T +381 (0)11 3190177
 F +381 (0)11 3190563

office@klimadop.com
 www.klimadop.com